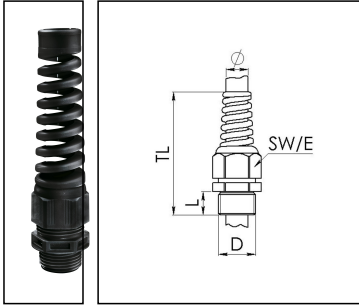


SKVS 13,5

Cable gland with bend protection, polyamide, Pg 13,5 RAL 9005



Products may differ in size, colour and appearance to those shown. If you require further information or customisation, please contact us directly.



Material cable gland	Polyamide
Material sealing gasket	EPDM
Protection class	IP69, IP68 (5 bar 30 min)
Temp. range min	-20 °C
Temp. range max	80 °C
Glow wire test	750 °C
Thread type	PG
Ø Connection thread D	13,5
Length screw-in thread L	9 mm
Ø cable diameter min	6 mm
Ø cable diameter max	12 mm
Key width SW	24 mm
Collar diameter (E)	27 mm
Total length TL	105 mm
Type of cable anchorage	A
Product Color	RAL 9005
Type	SKVS 13,5
Order no. RAL 9005	10061874
Packing unit	25
ETIM-Classification	EC000441

Recommended accessories

MFD 25/02/060	10060452
----------------------	----------

Your Contact:

WISKA Hoppmann GmbH

Kisdorfer Weg 28 · 24568 Kaltenkirchen · Germany

☎ +49-4191-508-0 · 📠 +49-4191-508-209

contact@wiska.de · www.wiska.com

MUG 13,5	10060683
RDE 25	10060768
MFD 25/02/080	10060952
MFD 25/01/065	10060954
ADR 13,5	10061422
MFD 25/02/070	10063995
MFD 25/03/070	10064342
MFD 25/04/060	10064343
MFD 25/01/090	10101016
MFD 25/01/105-01/055	10101255
MFD 25/05/056	10102023

14.01.2021

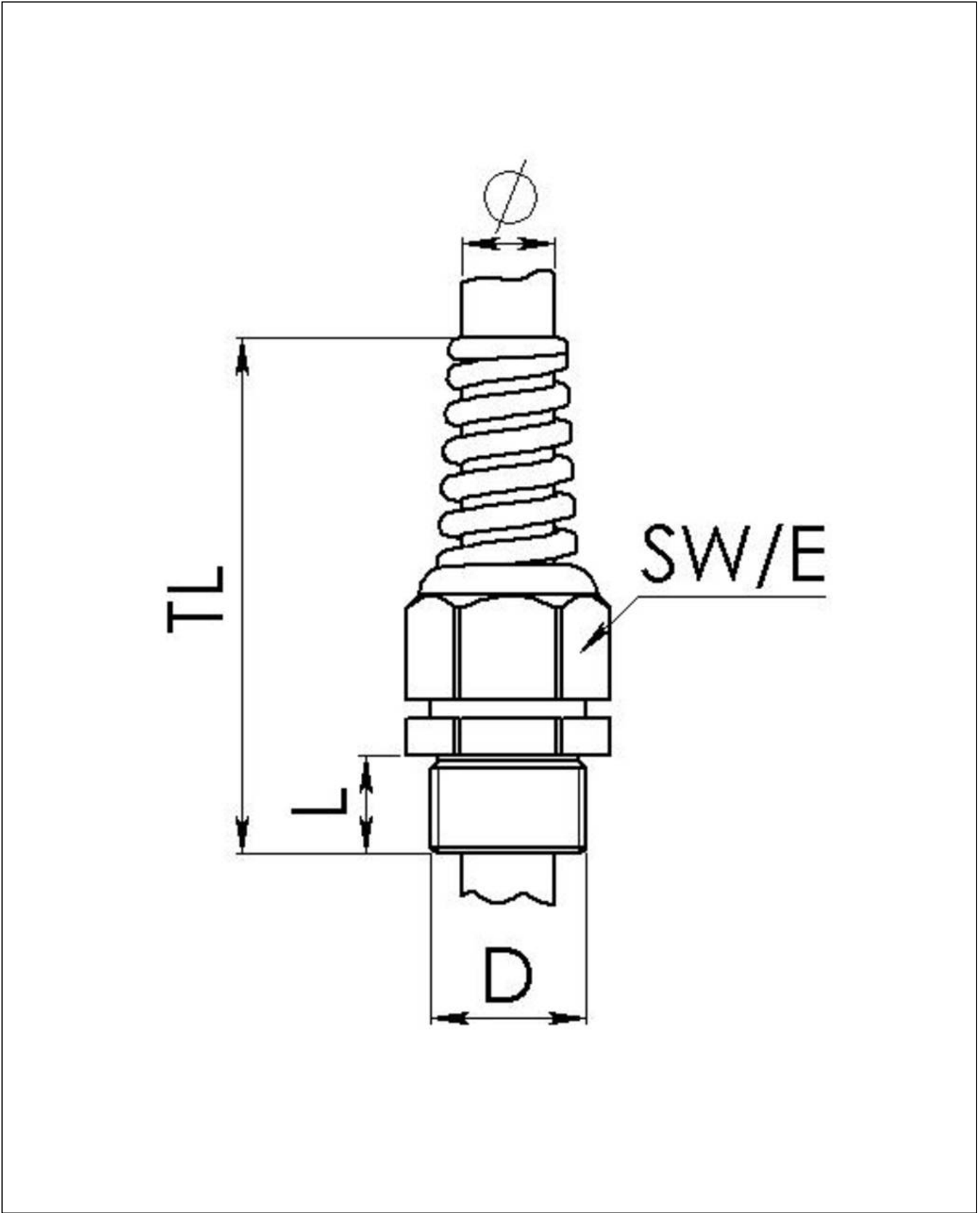
Your Contact:

WISKA Hoppmann GmbH

Kisdorfer Weg 28 · 24568 Kaltenkirchen · Germany

☎ +49-4191-508-0 · 📠 +49-4191-508-209

contact@wiska.de · www.wiska.com



Your Contact:
WISKA Hoppmann GmbH
Kisdorfer Weg 28 · 24568 Kaltenkirchen · Germany
☎ +49-4191-508-0 · 📠 +49-4191-508-209
contact@wiska.de · www.wiska.com