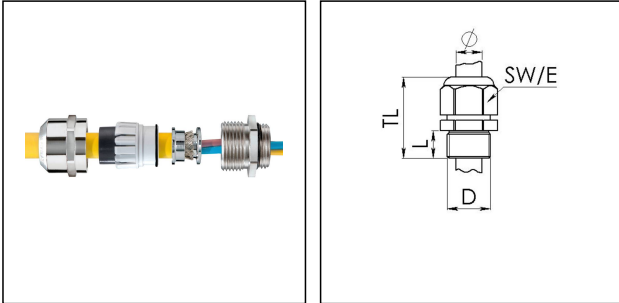


## NMSKV 3/8 EMV-Z

EMC-cable gland, brass nickel-plated, NPT 3/8"



Products may differ in size, colour and appearance to those shown. If you require further information or customisation, please contact us directly.



<b>Material cable gland</b>	Brass nickel-plated
<b>Material sealing gasket</b>	EPDM
<b>Material clamping cage</b>	Polyamide
<b>Material earthing insert</b>	Brass chromium-plated
<b>Temp. range min</b>	-40 °C
<b>Temp. range max</b>	100 °C
<b>Protection class</b>	IP69, IP68 (5 bar 30 min)
<b>Thread type</b>	NPT
<b>Ø Connection thread D</b>	3/8"
<b>Length screw-in thread L</b>	13 mm
<b>Ø cable diameter min</b>	4,5 mm
<b>Ø cable diameter max</b>	10 mm
<b>Ø cable below cable shield</b>	7,5 mm
<b>Key width SW</b>	20 mm
<b>Collar diameter (E)</b>	22 mm
<b>Total length TL</b>	35 mm - 42 mm
<b>Type of cable anchorage</b>	A
<b>Install. torques cap nut</b>	4 N m
<b>Install. torques fitting</b>	4 N m
<b>Surface</b>	Nickel-plated
<b>Order no. nickel-plated</b>	10065489
<b>Type</b>	NMSKV 3/8 EMV-Z
<b>Packing unit</b>	50
<b>ETIM-Classification</b>	EC000441

Your Contact:

WISKA Hoppmann GmbH

Kisdorfer Weg 28 · 24568 Kaltenkirchen · Germany

☎ +49-4191-508-0 · 📠 +49-4191-508-209

contact@wiska.de · www.wiska.com

**Recommended accessories**

<b>RDE 16</b>	10062184
<b>BS 10</b>	10064008

14.01.2021

Your Contact:

**WISKA Hoppmann GmbH**

Kisdorfer Weg 28 · 24568 Kaltenkirchen · Germany

☎ +49-4191-508-0 · 📠 +49-4191-508-209

contact@wiska.de · www.wiska.com



Your Contact:

**WISKA Hoppmann GmbH**

Kisdorfer Weg 28 · 24568 Kaltenkirchen · Germany

☎ +49-4191-508-0 · 📠 +49-4191-508-209

contact@wiska.de · www.wiska.com