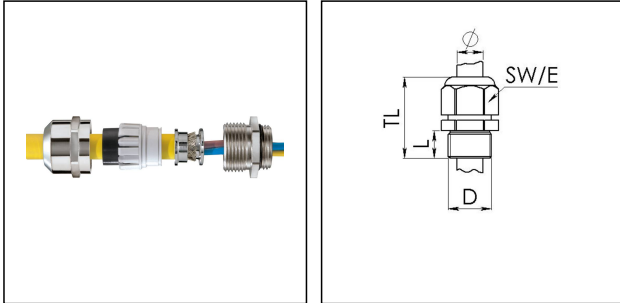


ESSKV 40 EMV-Z

EMC-cable gland, stainless steel A2, M40



Products may differ in size, colour and appearance to those shown. If you require further information or customisation, please contact us directly.



| | |
|----------------------------|-----------------------------|
| Material cable gland | Stainless steel A2 (1.4305) |
| Material sealing gasket | EPDM |
| Material clamping cage | Polyamide |
| Material earthing insert | Brass chromium-plated |
| Temp. range min | -40 °C |
| Temp. range max | 100 °C |
| Protection class | IP69, IP68 (5 bar 30 min) |
| Thread type | M |
| Ø Connection thread D | 40 |
| Lead | 1,5 |
| Length screw-in thread L | 8 mm |
| Ø cable diameter min | 16 mm |
| Ø cable diameter max | 28 mm |
| Ø cable below cable shield | 26 mm |
| Ø cable diameter UL | 17,4 mm - 26,4 mm |
| Key width SW | 46 mm |
| Collar diameter (E) | 50 mm |
| Total length TL | 44 mm - 55 mm |
| Type of cable anchorage | A |
| Install. torques fitting | 20 N m |
| Install. torques cap nut | 20 N m |
| Impact category | 6 |
| WISKA-Order no. | 10069021 |
| Type | ESSKV 40 EMV-Z |
| ETIM-Classification | EC000441 |

Your Contact:

WISKA Hoppmann GmbH

Kisdorfer Weg 28 · 24568 Kaltenkirchen · Germany

☎ +49-4191-508-0 · 📠 +49-4191-508-209

contact@wiska.de · www.wiska.com

Recommended accessories

| | |
|----------------|----------|
| RDE 40 | 10062187 |
| BS 28 | 10064016 |
| ESMU 40 | 10064193 |

14.01.2021

Your Contact:

WISKA Hoppmann GmbH

Kisdorfer Weg 28 · 24568 Kaltenkirchen · Germany

 +49-4191-508-0 ·  +49-4191-508-209

contact@wiska.de · www.wiska.com



Your Contact:

WISKA Hoppmann GmbH

Kisdorfer Weg 28 · 24568 Kaltenkirchen · Germany

☎ +49-4191-508-0 · 📠 +49-4191-508-209

contact@wiska.de · www.wiska.com