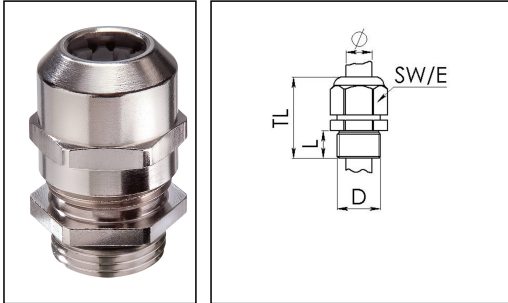


## PMSKV 29-40

Cable gland, brass nickel-plated, Pg 29



Products may differ in size, colour and appearance to those shown. If you require further information or customisation, please contact us directly.



<b>Material cable gland</b>	Brass nickel-plated
<b>Material clamping cage</b>	Polyamide
<b>Material sealing gasket</b>	EPDM
<b>Temp. range min</b>	-40 °C
<b>Temp. range max</b>	100 °C
<b>Protection class</b>	IP69, IP68 (5 bar 30 min)
<b>Thread type</b>	PG
<b>Ø Connection thread D</b>	29
<b>Length screw-in thread L</b>	8 mm
<b>Ø cable diameter min</b>	16 mm
<b>Ø cable diameter max</b>	28 mm
<b>Key width SW</b>	46 mm
<b>Collar diameter (E)</b>	50 mm
<b>Total length TL</b>	44 mm - 55 mm
<b>Type of cable anchorage</b>	A
<b>Install. torques fitting</b>	20 N m
<b>Install. torques cap nut</b>	20 N m
<b>Impact category</b>	6
<b>Surface</b>	Nickel-plated
<b>Order no. nickel-plated</b>	10100690
<b>Type</b>	PMSKV 29-40
<b>Packing unit</b>	10
<b>ETIM-Classification</b>	EC000441

Your Contact:

WISKA Hoppmann GmbH

Kisdorfer Weg 28 · 24568 Kaltenkirchen · Germany

☎ +49-4191-508-0 · 📠 +49-4191-508-209

contact@wiska.de · www.wiska.com

## Recommended accessories

<b>MMU 29</b>	10062147
<b>BS 28</b>	10064016
<b>MFD 40/08/060</b>	10064346
<b>MFD 40/07/080</b>	10064347
<b>MFD 40/07/070</b>	10064348
<b>MFD 40/04/100</b>	10101017
<b>MFD 40/09/069</b>	10101427
<b>MFD 40/03/125</b>	10102054
<b>MFD 40/06/065</b>	10102171
<b>MFD 40/06/090</b>	10102172

14.01.2021

Your Contact:

**WISKA Hoppmann GmbH**

Kisdorfer Weg 28 · 24568 Kaltenkirchen · Germany

☎ +49-4191-508-0 · 📠 +49-4191-508-209

contact@wiska.de · www.wiska.com



Your Contact:

**WISKA Hoppmann GmbH**

Kisdorfer Weg 28 · 24568 Kaltenkirchen · Germany

☎ +49-4191-508-0 · 📠 +49-4191-508-209

contact@wiska.de · www.wiska.com