

EMCGV 25-120 LT

Compression gland LowTemp, brass nickel-plated, M25



Products may differ in size, colour and appearance to those shown. If you require further information or customisation, please contact us directly.



Material cable gland	Brass nickel-plated
Material sealing gasket	Silicone
Temp. range min	-60 °C
Temp. range max	180 °C
Protection class	IP68 (5 bar 30 min)
Thread type	M
Ø Connection thread D	25
Lead	1,5
Length screw-in thread L	7 mm
Ø cable diameter min	10 mm
Ø cable diameter max	12 mm
Key width SW	30 mm
Collar diameter (E)	33 mm
Total length TL	23 mm - 28 mm
Order no. nickel-plated	10106512
Packing unit	50
Type	EMCGV 25-120 LT
ETIM-Classification	EC000441

Recommended accessories

EMMU 25	10063144
----------------	----------

14.01.2021

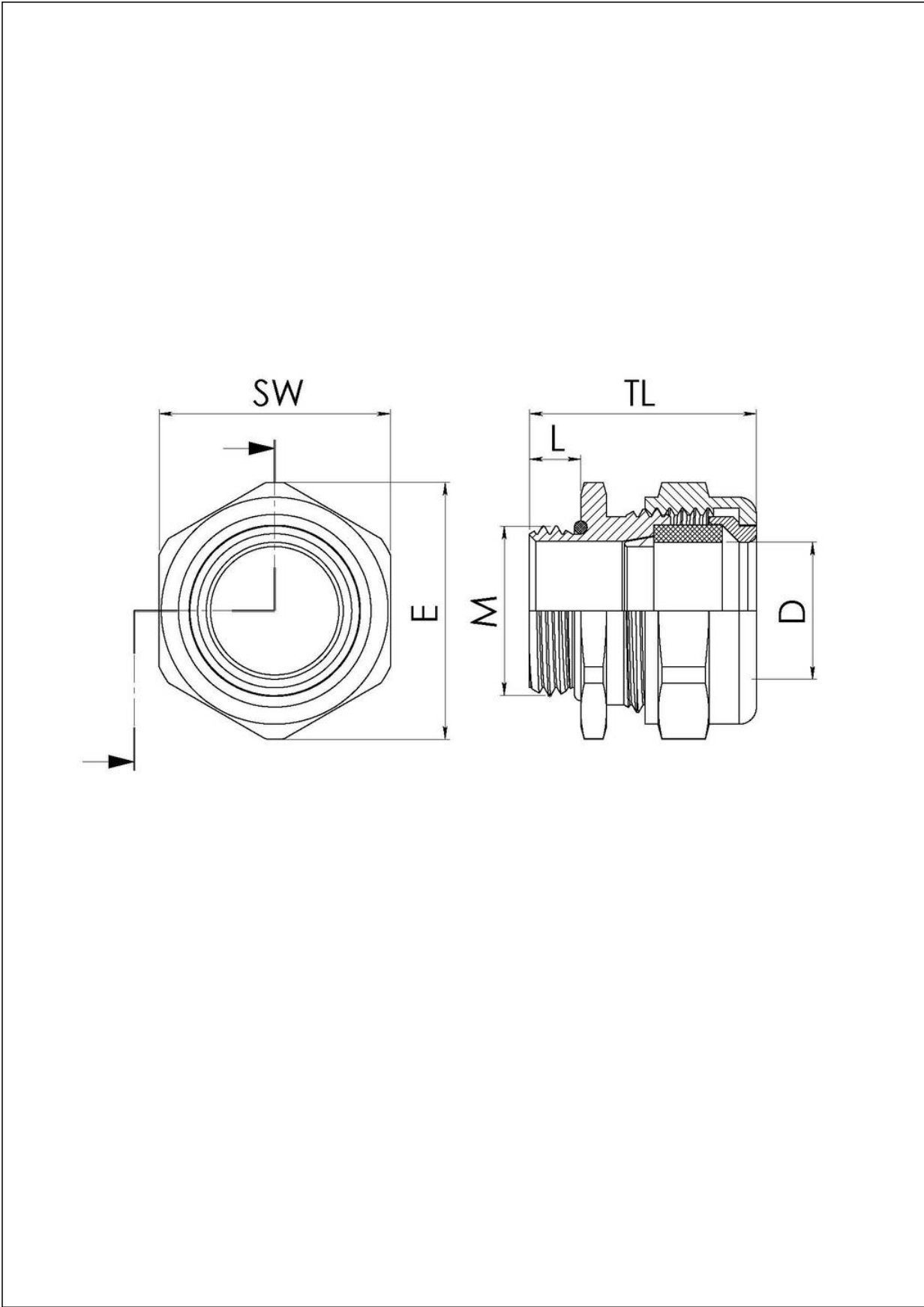
Your Contact:

WISKA Hoppmann GmbH

Kisdorfer Weg 28 · 24568 Kaltenkirchen · Germany

☎ +49-4191-508-0 · 📠 +49-4191-508-209

contact@wiska.de · www.wiska.com



Your Contact:
WISKA Hoppmann GmbH
Kisdorfer Weg 28 · 24568 Kaltenkirchen · Germany
☎ +49-4191-508-0 · 📠 +49-4191-508-209
contact@wiska.de · www.wiska.com