

## EMCGV 40-200 LT

Compression gland LowTemp, brass nickel-plated, M40



Products may differ in size, colour and appearance to those shown. If you require further information or customisation, please contact us directly.



<b>Material cable gland</b>	Brass nickel-plated
<b>Material sealing gasket</b>	Silicone
<b>Temp. range min</b>	-60 °C
<b>Temp. range max</b>	180 °C
<b>Protection class</b>	IP68 (5 bar 30 min)
<b>Thread type</b>	M
<b>Ø Connection thread D</b>	40
<b>Lead</b>	1,5
<b>Length screw-in thread L</b>	8 mm
<b>Ø cable diameter min</b>	18 mm
<b>Ø cable diameter max</b>	20 mm
<b>Key width SW</b>	45 mm
<b>Collar diameter (E)</b>	49 mm
<b>Total length TL</b>	24 mm - 28,5 mm
<b>Order no. nickel-plated</b>	10106524
<b>Packing unit</b>	10
<b>Type</b>	EMCGV 40-200 LT
<b>ETIM-Classification</b>	EC000441

### Recommended accessories

<b>EMMU 40</b>	10063146
----------------	----------

14.01.2021

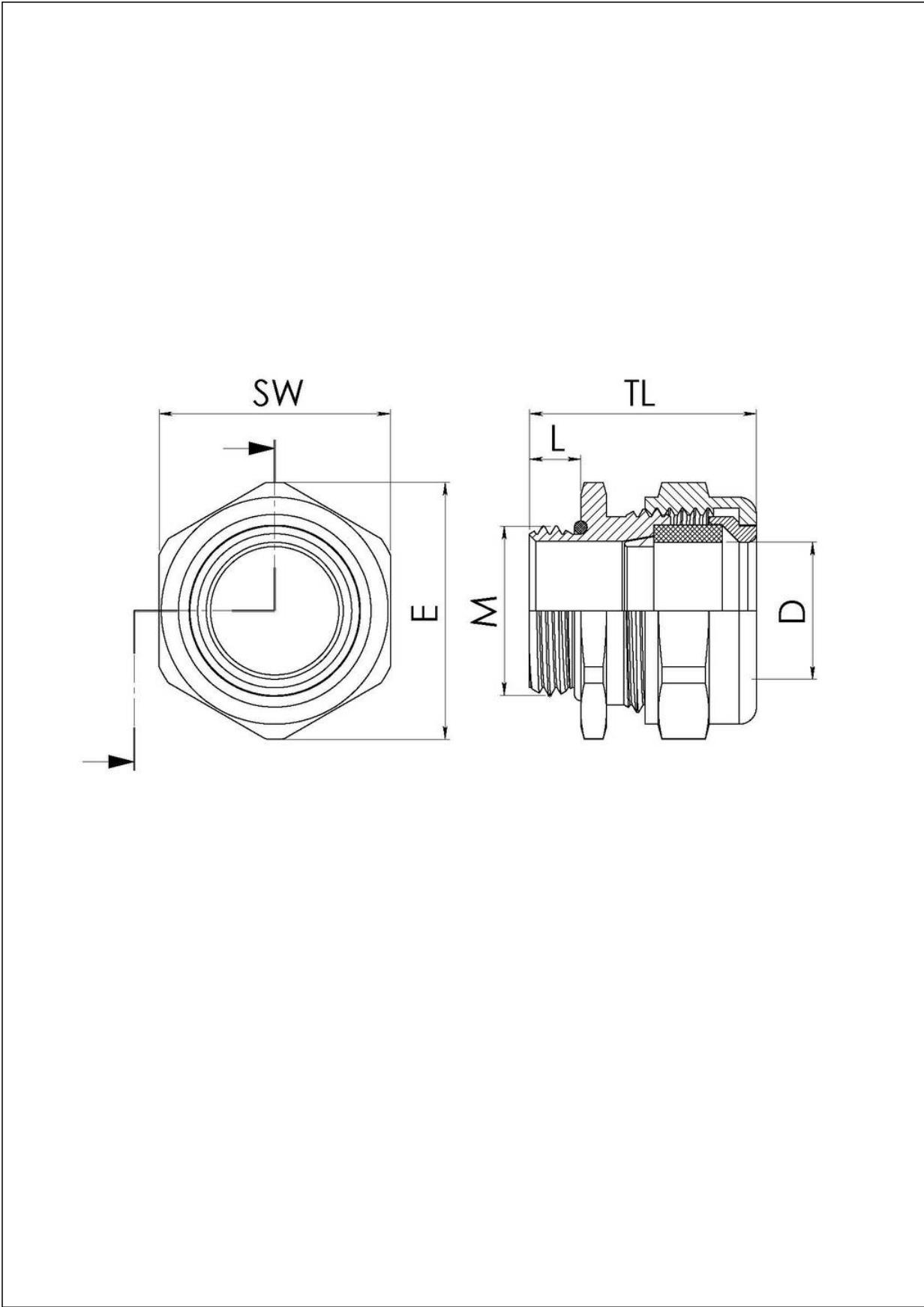
Your Contact:

**WISKA Hoppmann GmbH**

Kisdorfer Weg 28 · 24568 Kaltenkirchen · Germany

☎ +49-4191-508-0 · 📠 +49-4191-508-209

contact@wiska.de · www.wiska.com



Your Contact:  
**WISKA Hoppmann GmbH**  
Kisdorfer Weg 28 · 24568 Kaltenkirchen · Germany  
☎ +49-4191-508-0 · 📠 +49-4191-508-209  
contact@wiska.de · www.wiska.com