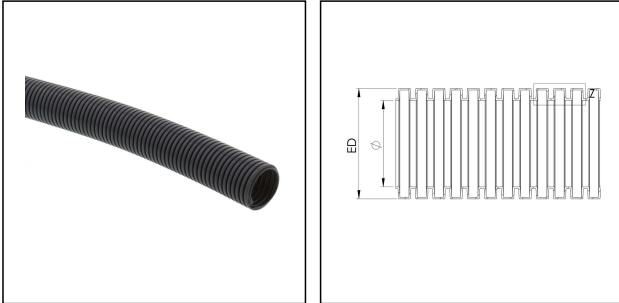


## BCA-S-36-BG

Conduit PA6 UL94-V0, RAL 7031, NW36



Products may differ in size, colour and appearance to those shown. If you require further information or customisation, please contact us directly.



<b>Material</b>	PA6 UL94-V0
<b>Temp. range min</b>	-40 °C
<b>Temp. range max</b>	140 °C
<b>UL-Temp. range max</b>	105 °C
<b>Operational areas</b>	EN 45545 - Railway
<b>Product Color</b>	RAL 7031
<b>NW</b>	36
<b>External diameter ED</b>	42,2 mm
<b>Ø inside</b>	36 mm
<b>Profile width A</b>	4,2 mm
<b>Width B</b>	2,8 mm
<b>Bending radius R</b>	91 mm
<b>Wall thickness S</b>	0,4 mm
<b>Model</b>	Standard profile
<b>UL 1696</b>	Yes
<b>Type</b>	BCA-S-36-BG
<b>Order no. RAL 7031</b>	10107085
<b>Packing unit</b>	25 m
<b>ETIM-Classification</b>	EC001177

### Recommended accessories

<b>EBFS-36-40-BG</b>	10106856
<b>EBFS-36-50-BG</b>	10106857

Your Contact:

WISKA Hoppmann GmbH

Kisdorfer Weg 28 · 24568 Kaltenkirchen · Germany

☎ +49-4191-508-0 · 📠 +49-4191-508-209

contact@wiska.de · www.wiska.com

<b>EMBFS-36-40-BG</b>	10106889
<b>EMBFS-36-50-BG</b>	10106890
<b>EMBFSI-36-40-BG</b>	10106920
<b>BCC-36-BG</b>	10106937
<b>EBF45-36-40-BG</b>	10106954
<b>EBF90-36-40-BG</b>	10106972
<b>EMBF45-36-40-BG</b>	10106993
<b>EMBF45-36-50-BG</b>	10106994
<b>EMBF90-36-40-BG</b>	10107009
<b>EMBF90-36-50-BG</b>	10107010
<b>EMBF45I-36-40-BG</b>	10107338
<b>EMBF90I-36-40-BG</b>	10107361
<b>EMBFSCG-36-40-BG</b>	10107377
<b>EMBF45CG-36-40-BG</b>	10107991
<b>EMBF90CG-36-40-BG</b>	10108004
<b>EBF45-36-50-BG</b>	10108875
<b>EBF90-36-50-BG</b>	10108889

14.01.2021

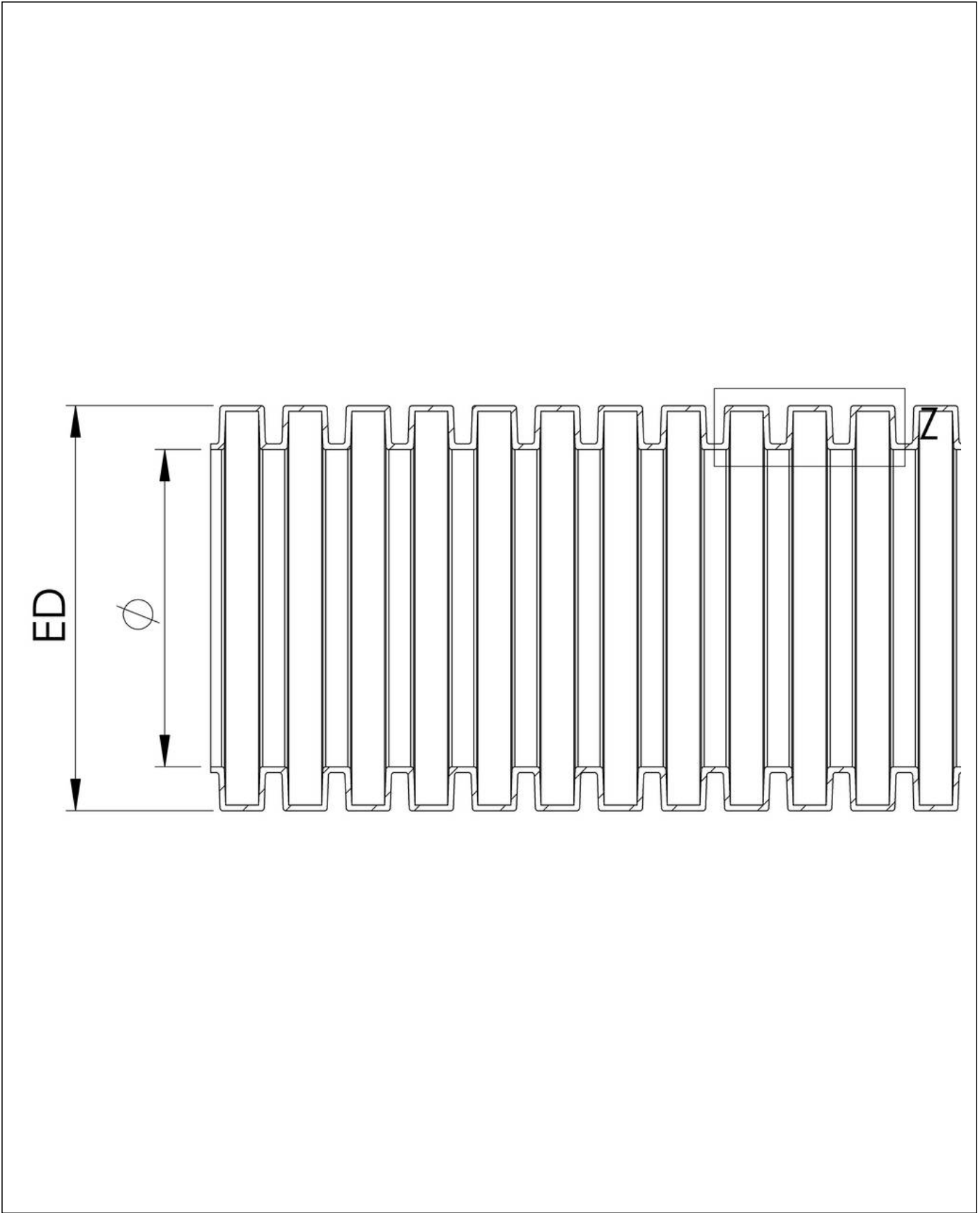
Your Contact:

**WISKA Hoppmann GmbH**

Kisdorfer Weg 28 · 24568 Kaltenkirchen · Germany

☎ +49-4191-508-0 · 📠 +49-4191-508-209

contact@wiska.de · www.wiska.com



Your Contact:

**WISKA Hoppmann GmbH**

Kisdorfer Weg 28 · 24568 Kaltenkirchen · Germany

☎ +49-4191-508-0 · 📠 +49-4191-508-209

contact@wiska.de · www.wiska.com