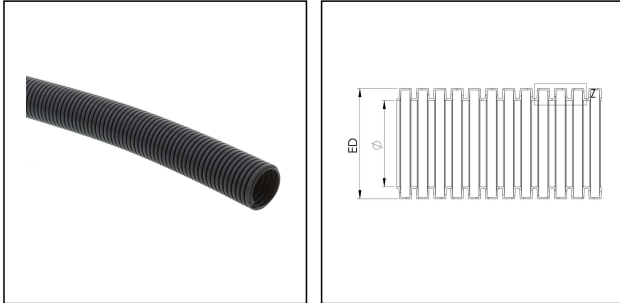


## BCIV-S-17-BK

Conduit PA12 UL94-V2, RAL 9005, NW17



Products may differ in size, colour and appearance to those shown. If you require further information or customisation, please contact us directly.



<b>Material</b>	PA12 UL94-V2
<b>Temp. range min</b>	-40 °C
<b>Temp. range max</b>	110 °C
<b>Operational areas</b>	Railway technology
<b>Product Color</b>	RAL 9005
<b>NW</b>	17
<b>External diameter ED</b>	21 mm
<b>Ø inside</b>	15,8 mm
<b>Profile width A</b>	3,3 mm
<b>Width B</b>	2,3 mm
<b>Bending radius R</b>	36 mm
<b>Wall thickness S</b>	0,3 mm
<b>Model</b>	Standard profile
<b>Type</b>	BCIV-S-17-BK
<b>Order no. RAL 9005</b>	10107107
<b>Packing unit</b>	50 m
<b>ETIM-Classification</b>	EC001177

### Recommended accessories

<b>EBFS-17-20-BK</b>	10106867
<b>EBFS-17-25-BK</b>	10106868
<b>EMBFS-17-20-BK</b>	10106899
<b>EMBFS-17-25-BK</b>	10106900

Your Contact:

WISKA Hoppmann GmbH

Kisdorfer Weg 28 · 24568 Kaltenkirchen · Germany

☎ +49-4191-508-0 · 📠 +49-4191-508-209

contact@wiska.de · www.wiska.com

<b>EMBF5I-17-20-BK</b>	10106925
<b>BCC-17-BK</b>	10106943
<b>EBF45-17-20-BK</b>	10106959
<b>EBF90-17-20-BK</b>	10106977
<b>EMBF90-17-20-BK</b>	10107018
<b>EMBF90-17-25-BK</b>	10107019
<b>BCAV-S-17-BK</b>	10107090
<b>EMBF45-17-20-BK</b>	10107323
<b>EMBF45-17-25-BK</b>	10107324
<b>EMBF45I-17-20-BK</b>	10107342
<b>EMBF90I-17-20-BK</b>	10107366
<b>EMBFSCG-17-20-BK</b>	10107382
<b>EMBF45CG-17-20-BK</b>	10107994
<b>EMBF90CG-17-20-BK</b>	10108008
<b>EBF45-17-25-BK</b>	10108878
<b>EBF90-17-25-BK</b>	10108893

14.01.2021

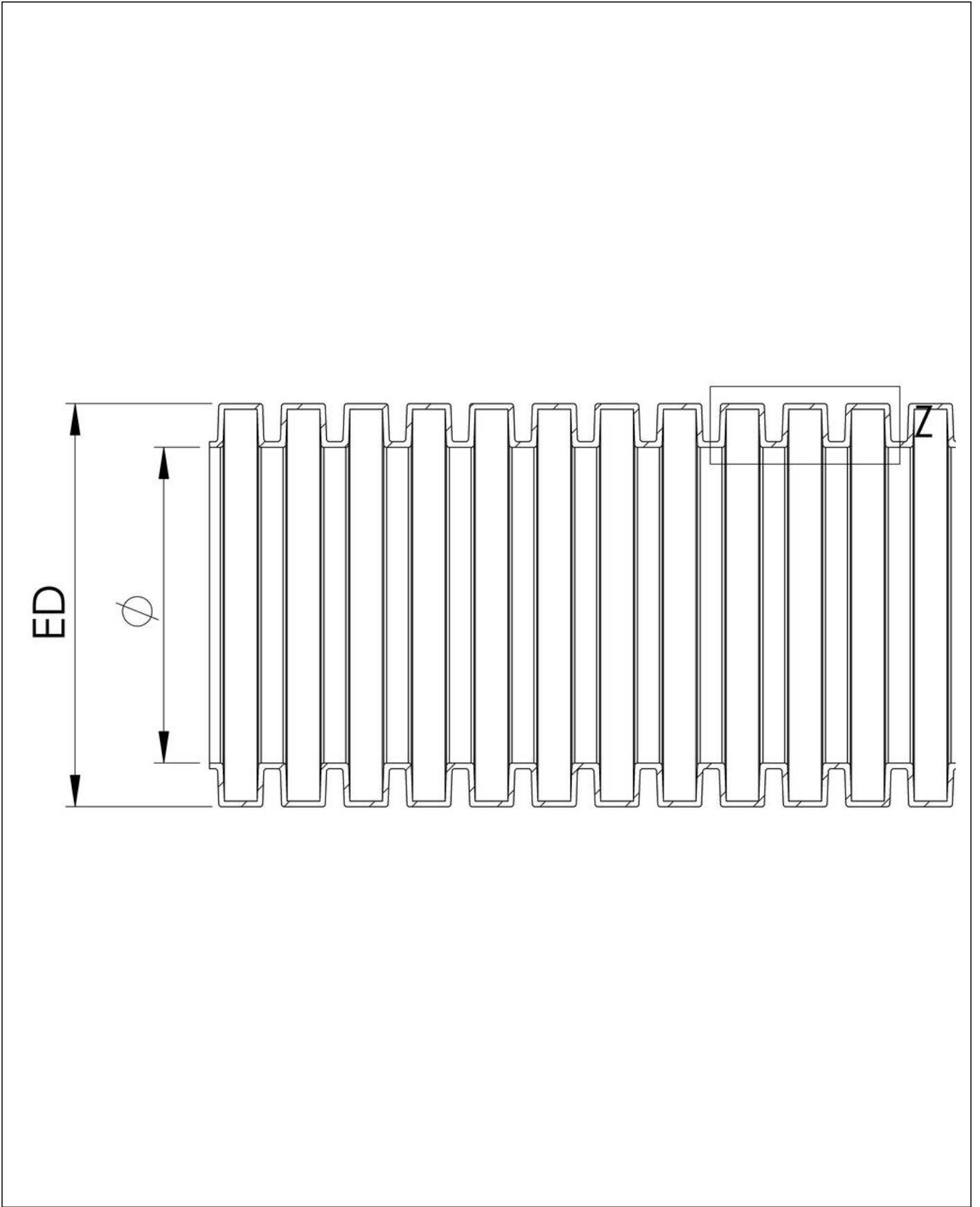
Your Contact:

**WISKA Hoppmann GmbH**

Kisdorfer Weg 28 · 24568 Kaltenkirchen · Germany

☎ +49-4191-508-0 · 📠 +49-4191-508-209

contact@wiska.de · www.wiska.com



Your Contact:

**WISKA Hoppmann GmbH**

Kisdorfer Weg 28 · 24568 Kaltenkirchen · Germany

☎ +49-4191-508-0 · 📠 +49-4191-508-209

✉ contact@wiska.de · 🌐 www.wiska.com