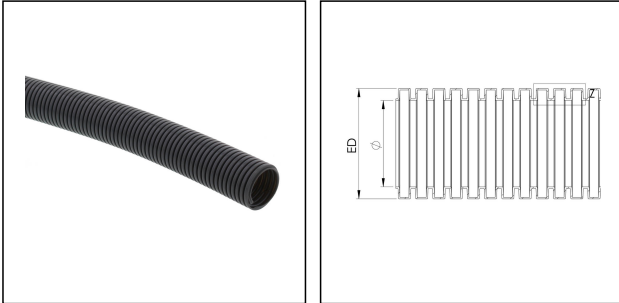


## BCIV-S-07-BG

Conduit PA12 UL94-V2, RAL 7031, NW07



Products may differ in size, colour and appearance to those shown. If you require further information or customisation, please contact us directly.



<b>Material</b>	PA12 UL94-V2
<b>Temp. range min</b>	-40 °C
<b>Temp. range max</b>	110 °C
<b>Operational areas</b>	Railway technology
<b>Product Color</b>	RAL 7031
<b>NW</b>	7
<b>External diameter ED</b>	10 mm
<b>Ø inside</b>	6,7 mm
<b>Profile width A</b>	2,7 mm
<b>Width B</b>	1,8 mm
<b>Bending radius R</b>	15 mm
<b>Wall thickness S</b>	0,2 mm
<b>Model</b>	Standard profile
<b>Type</b>	BCIV-S-07-BG
<b>WISKA-Order no.</b>	10109180
<b>Packing unit</b>	50 m
<b>ETIM-Classification</b>	EC001177

### Recommended accessories

<b>EBFS-07-12-BG</b>	10106844
<b>EMBFS-07-12-BG</b>	10106877
<b>BCC-07-BG</b>	10106930
<b>EBF45-07-12-BG</b>	10106948

Your Contact:

WISKA Hoppmann GmbH

Kisdorfer Weg 28 · 24568 Kaltenkirchen · Germany

☎ +49-4191-508-0 · 📠 +49-4191-508-209

contact@wiska.de · www.wiska.com

<b>EBF90-07-12-BG</b>	10106966
<b>EMBF45-07-12-BG</b>	10106982
<b>EMBF90-07-12-BG</b>	10106998
<b>BCAV-S-07-BG</b>	10107095

14.01.2021

Your Contact:

**WISKA Hoppmann GmbH**

Kisdorfer Weg 28 · 24568 Kaltenkirchen · Germany

☎ +49-4191-508-0 · 📠 +49-4191-508-209

contact@wiska.de · www.wiska.com



Your Contact:

**WISKA Hoppmann GmbH**

Kisdorfer Weg 28 · 24568 Kaltenkirchen · Germany

☎ +49-4191-508-0 · 📠 +49-4191-508-209

✉ contact@wiska.de · 🌐 www.wiska.com