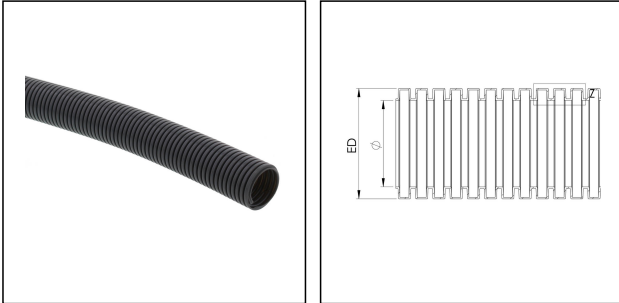


BCAB-L-48-BK

Conduit, PA 6 HB, lightweight, RAL 9005, NW48



Products may differ in size, colour and appearance to those shown. If you require further information or customisation, please contact us directly.



| | |
|-----------------------------|------------------------------|
| Material | PA6 UL94-HB |
| Temp. range min | -40 °C |
| Temp. range max | 140 °C |
| Operational areas | Mechanical plant engineering |
| Product Color | RAL 9005 |
| NW | 48 |
| External diameter ED | 54,5 mm |
| Ø inside | 47,9 mm |
| Profile width A | 4,3 mm |
| Width B | 2,8 mm |
| Bending radius R | 95 mm |
| Wall thickness S | 0,4 mm |
| Model | light |
| Type | BCAB-L-48-BK |
| Order no. RAL 9005 | 10109189 |
| Packing unit | 25 m |
| ETIM-Classification | EC001175 |

Recommended accessories

| | |
|-----------------------|----------|
| EBFS-48-50-BK | 10106875 |
| EBFS-48-63-BK | 10106876 |
| EMBFS-48-50-BK | 10106907 |
| EMBFS-48-63-BK | 10106908 |

Your Contact:

WISKA Hoppmann GmbH
Kisdorfer Weg 28 · 24568 Kaltenkirchen · Germany
☎ +49-4191-508-0 · 📠 +49-4191-508-209
contact@wiska.de · www.wiska.com

| | |
|--------------------------|----------|
| EMBFSI-48-50-BK | 10106929 |
| BCC-48-BK | 10106947 |
| EBF45-48-50-BK | 10106963 |
| EBF90-48-50-BK | 10106981 |
| EMBF90-48-50-BK | 10107026 |
| EMBF90-48-63-BK | 10107027 |
| EMBF45-48-50-BK | 10107331 |
| EMBF45-48-63-BK | 10107332 |
| EMBF45I-48-50-BK | 10107346 |
| EMBF90I-48-50-BK | 10107370 |
| EMBFSCG-48-50-BK | 10107386 |
| EMBF45CG-48-50-BK | 10107998 |
| EMBF90CG-48-50-BK | 10108012 |
| EBF45-48-63-BK | 10108883 |
| EBF90-48-63-BK | 10108897 |

14.01.2021

Your Contact:

WISKA Hoppmann GmbH

Kisdorfer Weg 28 · 24568 Kaltenkirchen · Germany

☎ +49-4191-508-0 · 📠 +49-4191-508-209

contact@wiska.de · www.wiska.com



Your Contact:

WISKA Hoppmann GmbH

Kisdorfer Weg 28 · 24568 Kaltenkirchen · Germany

☎ +49-4191-508-0 · 📠 +49-4191-508-209

✉ contact@wiska.de · 🌐 www.wiska.com