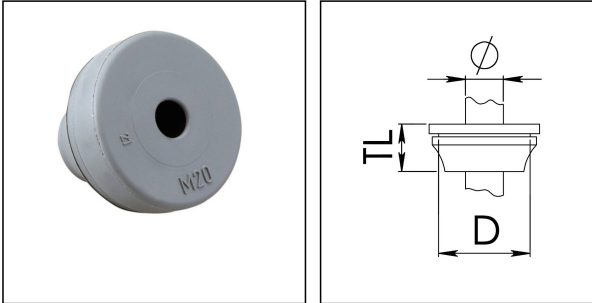


## FD 16

FLIP cable grommet, EPDM, RAL 7001, M16



Products may differ in size, colour and appearance to those shown. If you require further information or customisation, please contact us directly.



<b>Material</b>	EPDM
<b>Temp. range min</b>	-40 °C
<b>Temp. range max</b>	110 °C
<b>Protection class</b>	IP66 / IP67
<b>Thread type</b>	M
<b>Ø Connection thread D</b>	16
<b>Ø cable diameter min</b>	5 mm
<b>Ø cable diameter max</b>	9 mm
<b>Total length TL</b>	18 mm
<b>Ø Drilling</b>	15 mm - 17 mm
<b>Wall thickness S</b>	1 mm - 4 mm
<b>Product Color</b>	RAL 7001
<b>Order no. RAL 7001</b>	50062771
<b>Type</b>	FD 16
<b>Packing unit</b>	50
<b>ETIM-Classification</b>	EC000451

14.01.2021

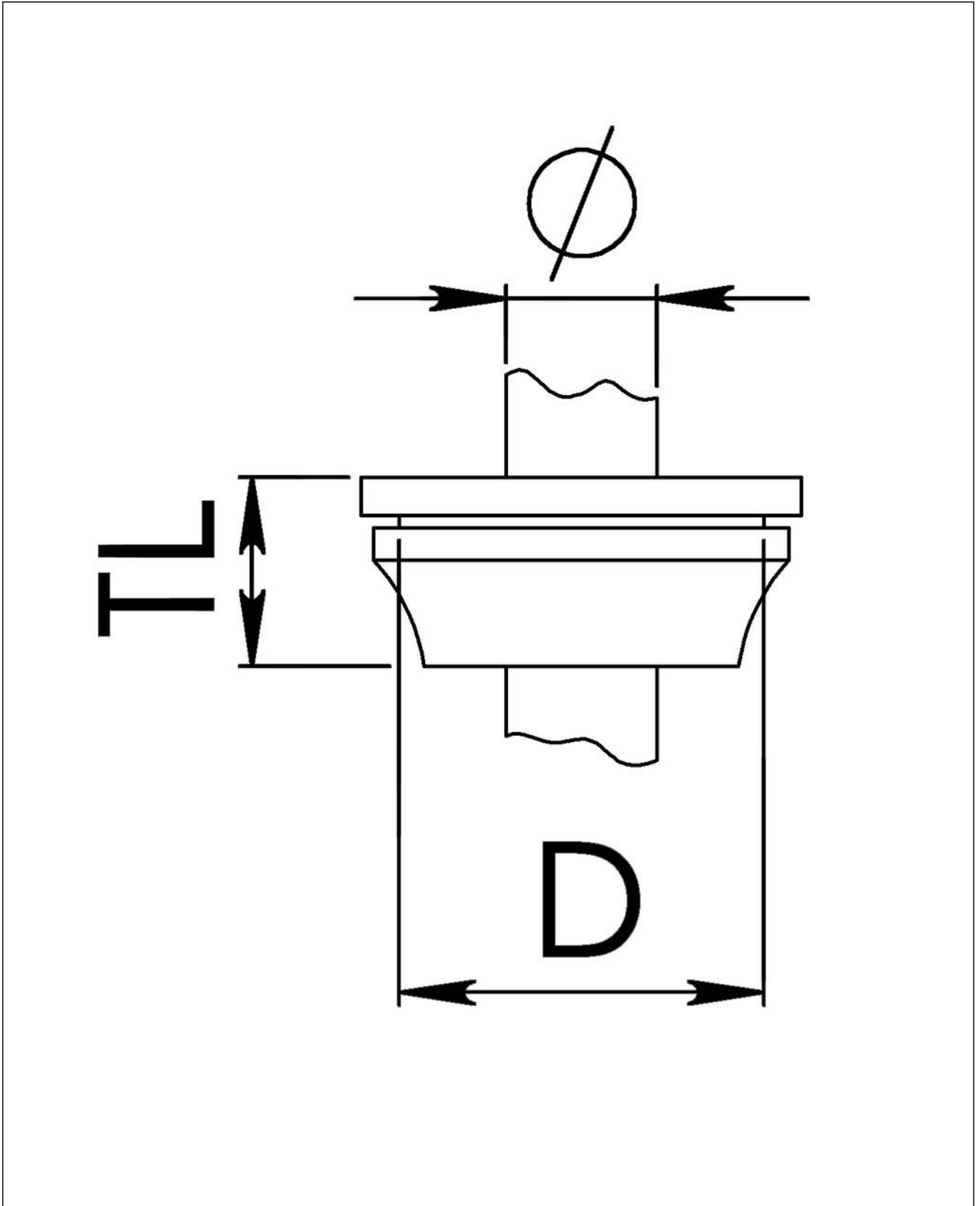
Your Contact:

**WISKA Hoppmann GmbH**

Kisdorfer Weg 28 · 24568 Kaltenkirchen · Germany

☎ +49-4191-508-0 · 📠 +49-4191-508-209

contact@wiska.de · www.wiska.com



Your Contact:

**WISKA Hoppmann GmbH**

Kisdorfer Weg 28 · 24568 Kaltenkirchen · Germany

☎ +49-4191-508-0 · 📠 +49-4191-508-209

contact@wiska.de · www.wiska.com